



FEATURES

- Single 5V to 48V Output Voltages
- Fixed and Interchangeable AC Plugs
- Level VI Energy Efficiency
- UL, cUL, CE, CB, PSE, CCC, RCM, LPS, SAA Approvals
- No Load Power Consumption < 0.075W
- Competitively Priced

INPUT SPECIFICATIONS

Input Voltage Range 90-264 VAC
 Input Frequency 47-63 Hz
 Input Current 1A max.
 Inrush Current 70A max. @ 230 VAC, cold start at 25°C, full load

OUTPUT SPECIFICATIONS

Output Power Ratings See models list
 No Load Power Cons. 0.075W max.
 Line Regulation ±1% max.
 Load Regulation ±5% max.
 Ripple and Noise* 1% peak to peak max. @ full load
 Over Voltage Protection Set at 180% max.; Shut down
 Over Current Protection Set at 170% max.; Shut down
 Short Circuit Protection Shut down, Auto-recovery
 Temperature Coefficient ±0.04%/°C max.
 Transient Response 0.5 ms @ 50% load change

* R&N measured with 20MHz bandwidth at rated line voltage and output load ranges, with a 10µF tantalum capacitor in parallel with a 0.1µF ceramic capacitor in parallel across the output.

GENERAL SPECIFICATIONS

Efficiency 87% min. @ full load
 Hold-Up Time 10ms @ full load
 Operating Temperature 0°C to +40°C
 Storage Temperature -20°C to +80°C
 Operating Humidity 20 to 80% non-condensing
 Storage Humidity 10 to 90% non-condensing
 Withstand Voltage 3,000 VAC, input-output
 MTBF 300 KHrs minimum at full load, 25°C ambient, calculated per Telcordia SR-332

STANDARDS & COMPLIANCE

EN 55022, FCC Class B, conducted & radiated
 EN 61000-3-2 Harmonic distortion, Class A & D
 EN 61000-3-3 Line flicker
 EN 61000-4-2 ESD, ±8 KV air and ±4 KV contact
 EN 61000-4-3 Radiated immunity, 3V/m
 EN 61000-4-4 Fast transient/burst, ±1 KV
 EN 61000-4-5 Surge, ±1 KV diff., ±2 KV com.
 EN 61000-4-6 Conducted immunity, 3 Vrms
 EN 61000-4-8 Magnetic field immunity, 1A/m
 EN 61000-4-11 Voltage dip immunity, 30% reduction for 500ms, 60% reduction for 100ms, >95% reduction for 10ms



STANDARDS & COMPLIANCE (CONT.)

Safety Standards UL/IEC/EN 60950-1 (2nd Edition)
 Agency Approvals UL, cUL, CE, CB, PSE, CCC, RCM, SAA, LPS
 Other Compliance RoHS, Energy Star 2.0, DOE Level VI, ErP Stage II, NRCan/GEMS Level VI

MODELS LIST

| Product No. | Output Voltage | Output Current | Maximum Power |
|--------------|----------------|----------------|---------------|
| TAW36-5-X | 5V | 5A | 25W |
| TAW36-7.5-X | 7.5V | 4A | 30W |
| TAW36-8.5-X | 8.5V | 3.52A | 30W |
| TAW36-9-X | 9V | 3.34A | 30W |
| TAW36-12-X | 12V | 3A | 36W |
| TAW36-13.5-X | 13.5V | 2.66A | 36W |
| TAW36-15-X | 15V | 2.4A | 36W |
| TAW36-16-X | 16V | 2.25A | 36W |
| TAW36-18-X | 18V | 2A | 36W |
| TAW36-24-X | 24V | 1.5A | 36W |
| TAW36-48-X | 48V | 0.75A | 36W |

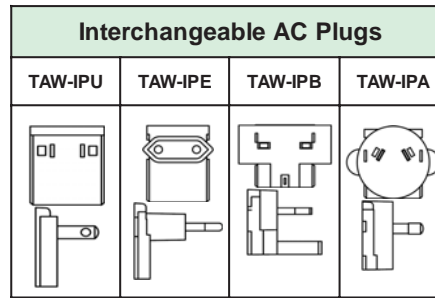
Note: X = AC plug code. See the below table for details.

| Code X | Fixed AC Plug |
|--------|--|
| U | US, Japan |
| E | EU |
| C | China |
| B | UK |
| A | Australia |
| I | Main body without Interchangeable AC plugs |

TAW36 Series

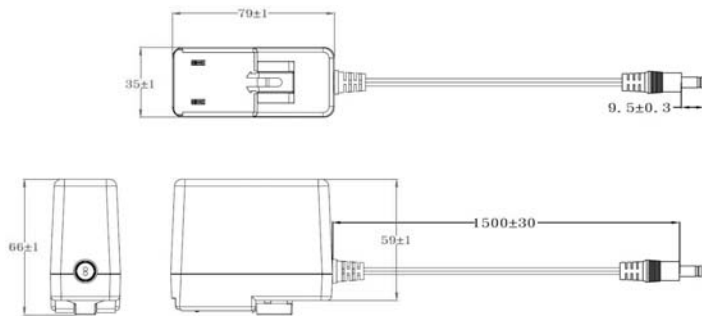
36 Watts ITE Grade AC/DC Power Adapters

| Part No. | Interchangeable AC Plugs |
|----------|--------------------------|
| TAW-IPU | US, Japan |
| TAW-IPE | EU |
| TAW-IPB | UK |
| TAW-IPA | Australia |

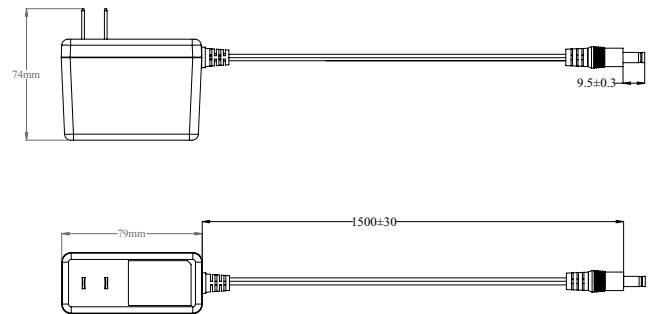


MECHANICAL SPECIFICATIONS

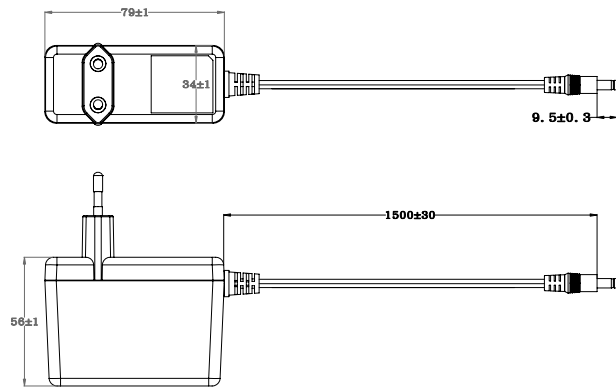
Main Body for Interchangeable Wall Plugs:



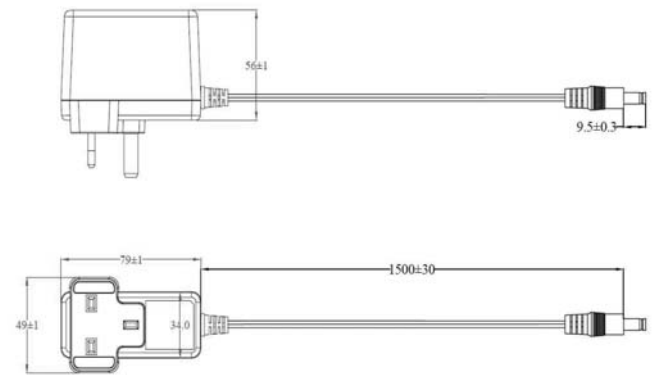
Fixed US/Japan Wall Plug:



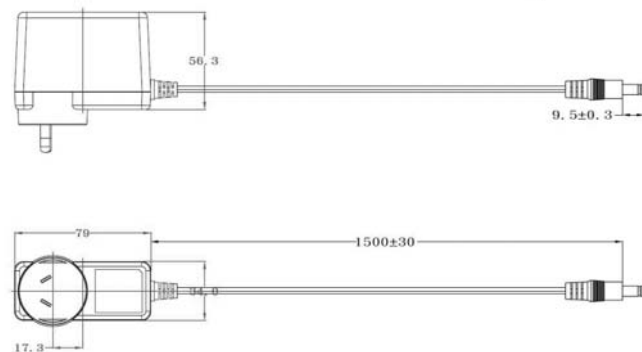
Fixed EU Wall Plug:



Fixed UK Wall Plug:



Fixed Australia Wall Plug:



Notes:

1. Unit: mm.
2. Tolerance: 0.5mm maximum, unless otherwise stated.
3. Weight: 160g (0.35 lb) approx.
4. Standard output connector: 2.5 x 5.5 x 9.5mm barrel plug
5. Contact TRUMPower for output connector options.